



ERwin r8

Michael Wycisk
Vertriebsleiter, heureka e-Business

Stefan Kausch
CEO, heureka e-Business

**Visualize the
Power of
Your Data**

Agenda

- New Features
- Product Demo
- Licensing & Versions
- How to Upgrade?
- Trainings
- Questions & Answers

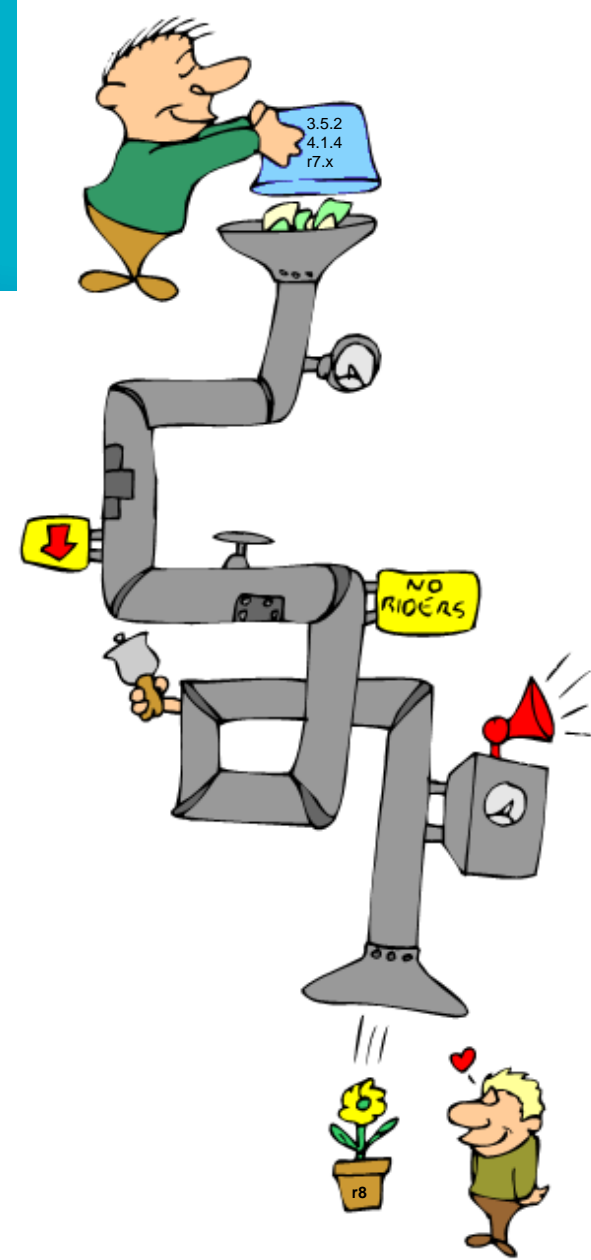
CA ERwin Data Modeler r8 Overview

February 2011



r8 – At a Glance

- State-of-the-art visualization and diagram management
- Dynamic user interface (UI)
 - On-demand UI components
 - End-user customization
 - Industry standards and best practices
- Productivity enhanced workflow
- Comprehensive database support
 - DB/2 v9.x (z/OS and LUW)
 - SQL Server 2008
 - Teradata v13



What's New in r8?

Key High-Level Features

➤ **One-Click Auto Layout for Model Diagrams**

➤ ERwin's Auto Layout feature saves customers from wasting valuable time redrawing models for readability — ERwin can do it automatically with a single click.

➤ **Maximized Drawing Palette with On-Demand UI**

➤ The ability to invoke toolbars and editors on-demand saves valuable drawing space—giving customers a full screen to work with for large volumes of information.

➤ **Model Display Themes and Formatting Options**

➤ Provides the ability to customize colors, fonts, backgrounds, borders, and more to give the flexibility of a drawing tool, without sacrificing data modeling functionality. Display Themes allow customers to create reusable formatting themes for reuse among teams and projects—adding a common look and feel to cross-model efforts.

What's New in r8?

Key High-Level Features

➤ **Universal Bulk Editor**

➤ Cross-object, multi-instance metadata updates in a single, spreadsheet-style interface. allowing for bulk updates, exports to Excel, and metadata queries.

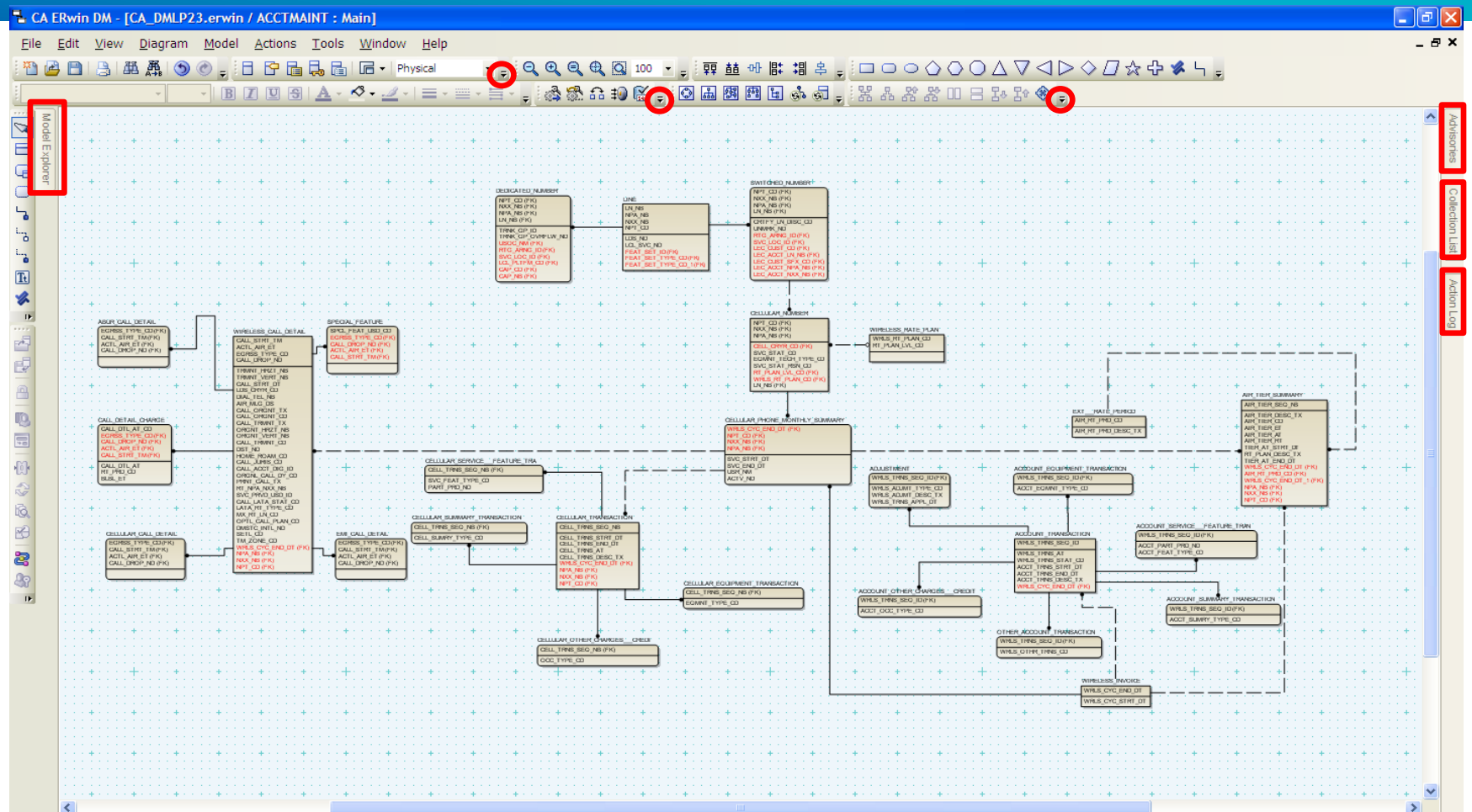
➤ **Crystal Reports for Enterprise-Wide Reporting**

➤ Create reports directly from the ERwin interface for Impact Analysis, Where-Used Reporting, and Cross-Model Queries. Model Diagrams are integrated with text-based reports, including the “picture” of a model with the metadata.

➤ **Updated Support for the DB2 Platform**

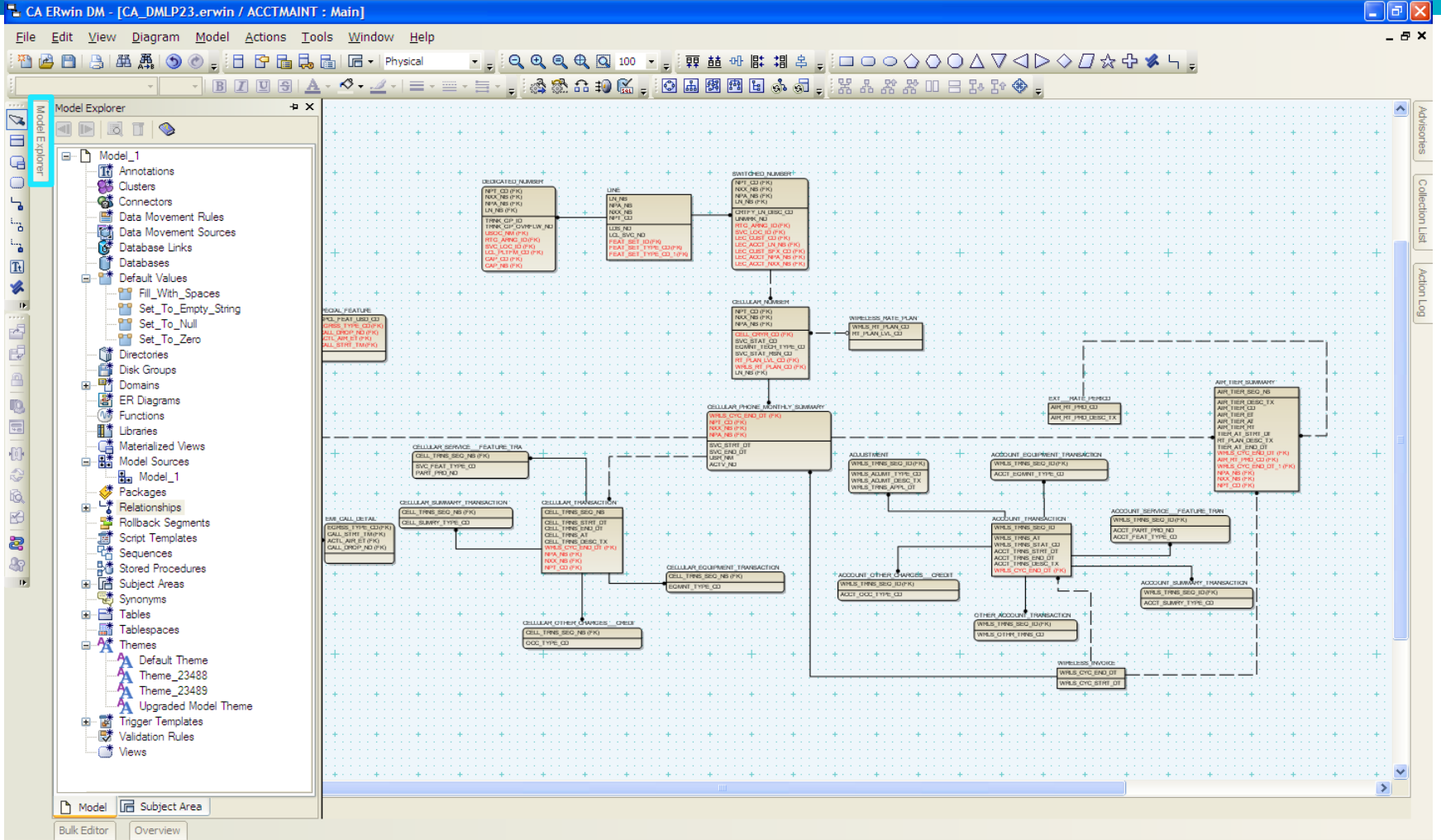
➤ Updated support for DB2 z/OS and LUW v9.x to include key features such as Partitioning support, Global Temporary Table support, MDC support, Compression, Nicknames, column “Labels”, Query Optimization syntax, “Include” column syntax, “Enforced/Not Enforced” check constraint syntax, XML datatypes and more.

r8: Dynamic customization and Innovative Visualization!



For Help, press F1

r8: On-demand UI Components



For Help, press F1

Oracle 10g/11g

42%

r8: Productivity Enhancing Features

The screenshot displays the CA ERwin DM interface with an Entity-Relationship (ER) diagram. Two windows are highlighted with red boxes:

- Bulk Editor:** A window with a toolbar and a table listing entities and their definitions.
- Overview:** A small window showing a thumbnail of the entire ER diagram with a blue rectangle highlighting a specific area.

T	Name	Definition
T	Client Transaction	Client transaction contains informat...
T	Investment	Investment contains all the differe...
T	Investment	Investment contains all the differe...
T	Investment Dim	Investment contains all the differe...
T	Investment Dim	Investment contains all the differe...
T	Investment Type	Investment type contains all the dif...
T	Investment Type	Investment type contains all the dif...

Bulk Editor – Consistent, Customizable

Major Productivity Enhancement

- Efficient and effective management of model metadata
- Improves modeler productivity
- Permits reusable customization to support the "critical" path
- Provides “real-time” access to product model changes

The screenshot displays the Bulk Editor Wizard and Bulk Editor interface. The Bulk Editor Wizard window shows the 'Bulk Editor Object Type Selection' step, where users can select object types for editing. The Bulk Editor window shows a table of object types and their definitions. The 'Attribute 'CNTCT-LAST-NM' - Definition' dialog box is also visible, showing the definition for the 'LAST NAME - the person's surname' attribute.

Bulk Editor Wizard - Bulk Editor Object Type Selection

Select the types of objects that you want to display in the Bulk Editor for editing. You can reduce your list of objects on the Object Instances page.

Option Set: [Dropdown]

Object Types

- Property Types
- Object Instances
- Display Order
- User Settings

Object Types List:

- Column
- Default Value
- Domain
- ER Diagrams
- Images
- Index
- Member
- Model Shapes
- Model Source
- Page Setup
- Page Style Sheets
- Relationship
- Subject Area
- Table
- Themes
- Trigger Template

5 types selected, 16 shown

Bulk Editor

Name	Type	Name	Definition
CNTCT-ID	Column	CNTCT-ID	CONTACT IDENTIFIER - A generated key used to uniquely identify the CONTACT PERSON.
CNTCT-LAST-NM	Column	CNTCT-LAST-NM	LAST NAME - the person's surname
CNTCT-LGCY-NM	Column	CNTCT-LGCY-NM	The CONTACT LEGACY NAME represents a 'free-form' contact name as entered in the legacy ordering...
CNTCT-SSN-NB	Column	CNTCT-SSN-NB	Social Security number. This is the Social Security number of the individual...
CONTACT TYPE	Table	CONTACT TYPE	The CONTACT TYPE identifies the capacity in which a CONTACT PERSON...
Coordinate	Domain	Coordinate	
CUST-ID	Column	CUST-ID	
CUST-ID	Column	CUST-ID	
CUST-ID	Column	CUST-ID	The CUSTOMER IDENTIFIER uniquely identifies a CUSTOMER. It is a genera...
CUST-NM	Column	CUST-NM	The CUSTOMER NAME is the distinctive designation used by the customer fo...
CUSTOM TRIGGER DEFAULT ...	Trigger Template	CUSTOM TRIGGER DEFAULT ...	
CUSTOM TRIGGER FOOTER	Trigger Template	CUSTOM TRIGGER FOOTER	

Attribute 'CNTCT-LAST-NM' - Definition

LAST NAME - the person's surname

Expanded

LAST NAME - the person's surname

OK Cancel

**Bulk Editor Object Type Selection**

Select the types of objects that you want to display in the Bulk Editor for editing. You can reduce your list of objects on the Object Instances page.

Overview

Object Types

Property Types

Object Instances

Display Order

User Settings

Option Set:

 Annotations Check Constraint Usages Column Default Value Domain ER Diagrams Images Index Member Model Shapes Page Setup Page Style Sheets Relationship Shapes Subject Area Table Themes Trigger Template Valid Value Validation Rule View

Edit

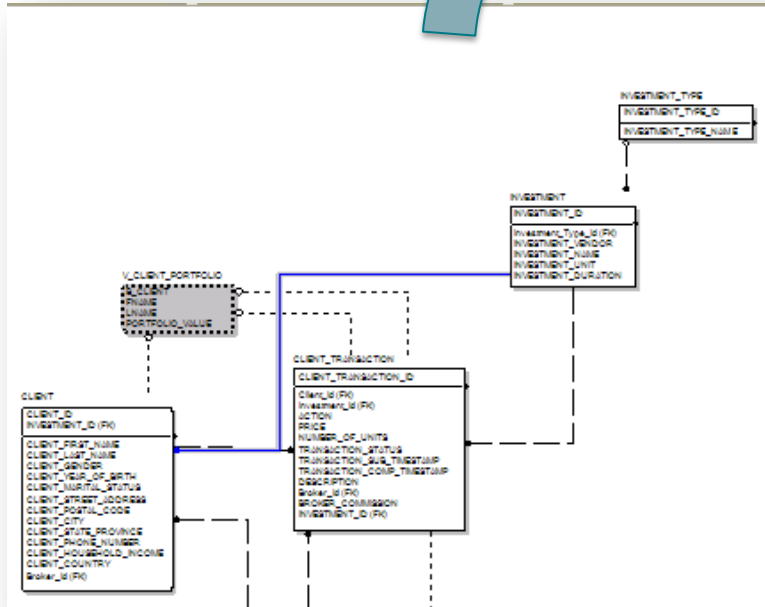
Cancel

Help

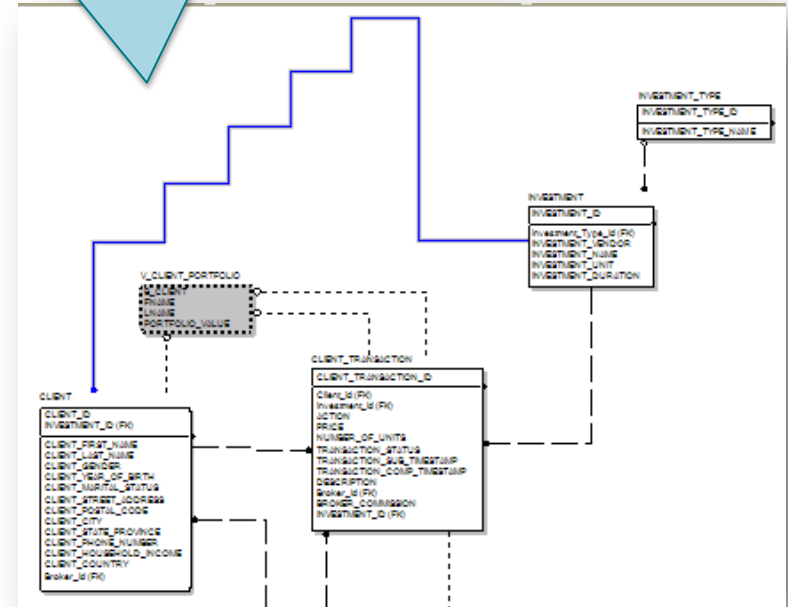
Name	Type	Definition	Type
STORE	Table	A STORE is one of the MOVIE STORES where a customer can rent a movie	Independent
CUSTOMER	Table	A CUSTOMER is a person or organization who has rented a movie within the past year.	Independent
CUSTOMER CREDIT	Table	CUSTOMER CREDIT is the status of available credit for a CUSTOMER	Independent
PAYMENT	Table	A PAYMENT is received when a customer rents a movie	Independent
customer number	Column	A unique number associated with Customer	Primary Key
customer address	Column	Street address of the customer	Non Primary Key
customer city	Column	City associated with Customer's address	Non Primary Key
customer first name	Column	First name of a Customer	Non Primary Key
customer last name	Column	Last name of a Customer	Non Primary Key
customer state	Column	The two-character state abbreviation associated with customer's address	Non Primary Key
customer zip code	Column	zip-code associated with Customer's address	Non Primary Key
email	Column	The email address associated with a customer	Non Primary Key
customer number	Column	A unique number associated with Customer	Primary Key
customer number	Column	A unique number associated with Customer	Primary Key
credit card	Column	A credit card number associated with Customer	Non Primary Key
credit card exp	Column	Expiration date on the customer's credit card	Non Primary Key
status code	Column	Payment status associated with a Customer	Non Primary Key
customer number	Column	A unique number associated with Customer	Primary Key
credit_card	Column	A credit card number associated with Customer	View
credit_card_exp	Column	Expiration date on the customer's credit card	View
status_code	Column	Payment status associated with a Customer	View
customer_number	Column	A unique number associated with Customer	View
customer_address	Column	Street address of the customer	View
customer_city	Column	City associated with Customer's address	View
customer_first_name	Column	First name of a Customer	View

r8 Diagramming – Precision Object Placement

r7.3



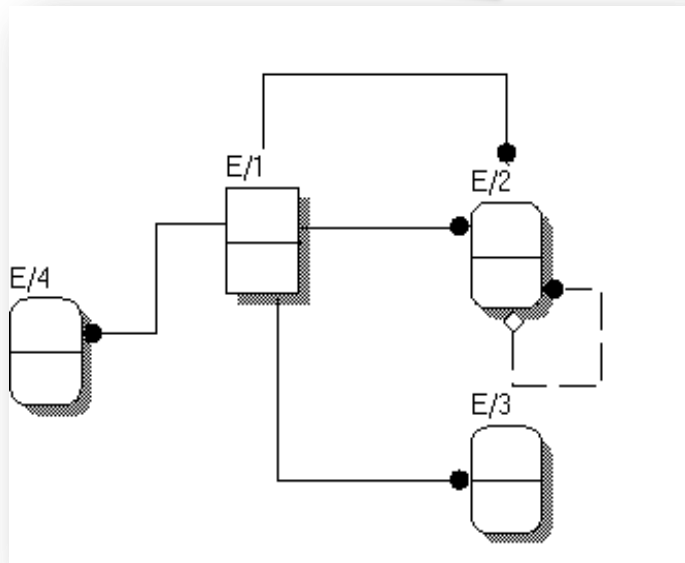
r8



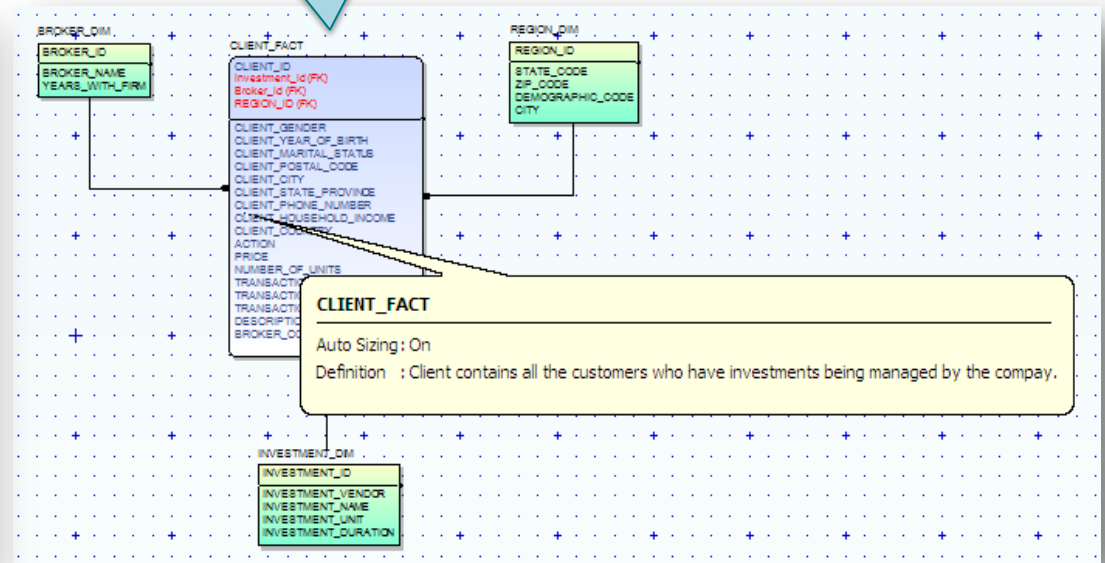
“Route-able” Relationship Lines

r8 Diagramming – User Defined Styles/Theme Settings

r7.3



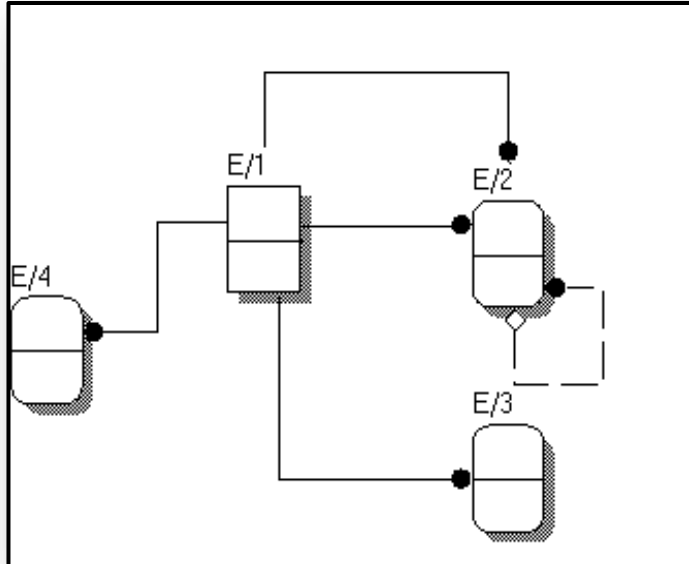
r8



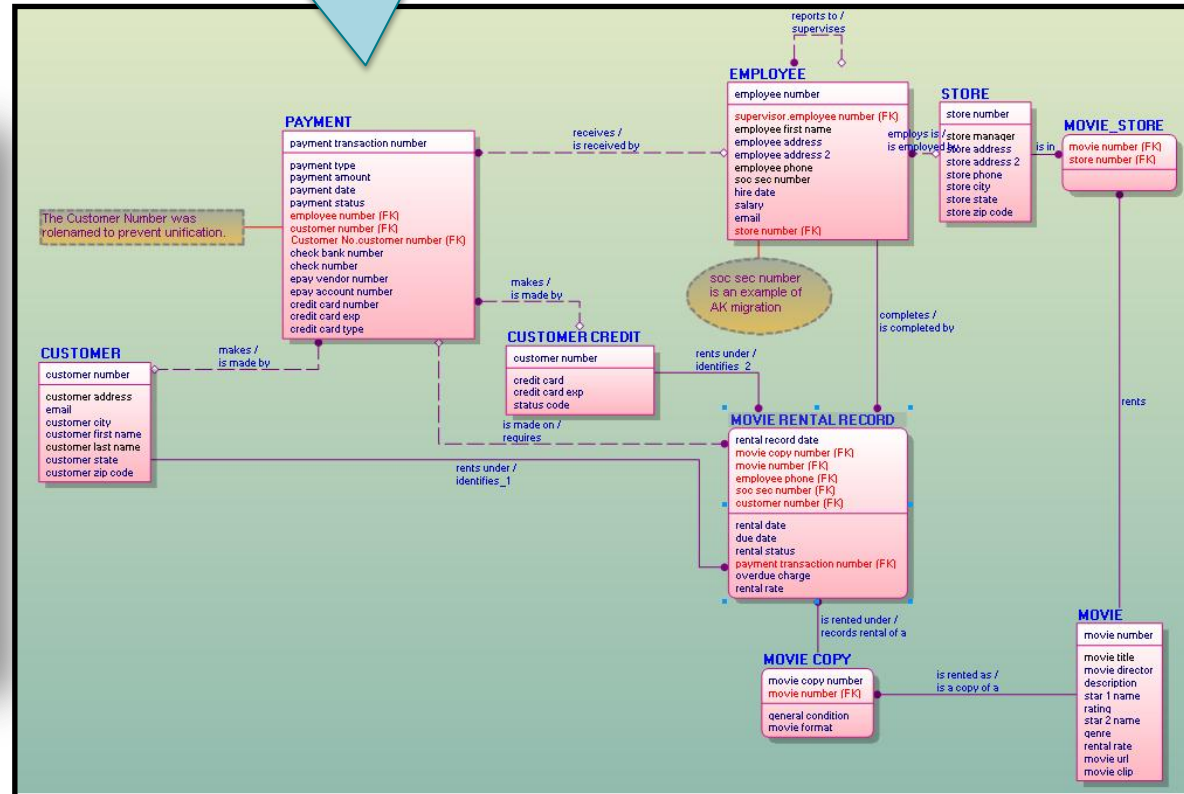
Supports Organizational Design Standards

Custom Themes Add Design Flexibility

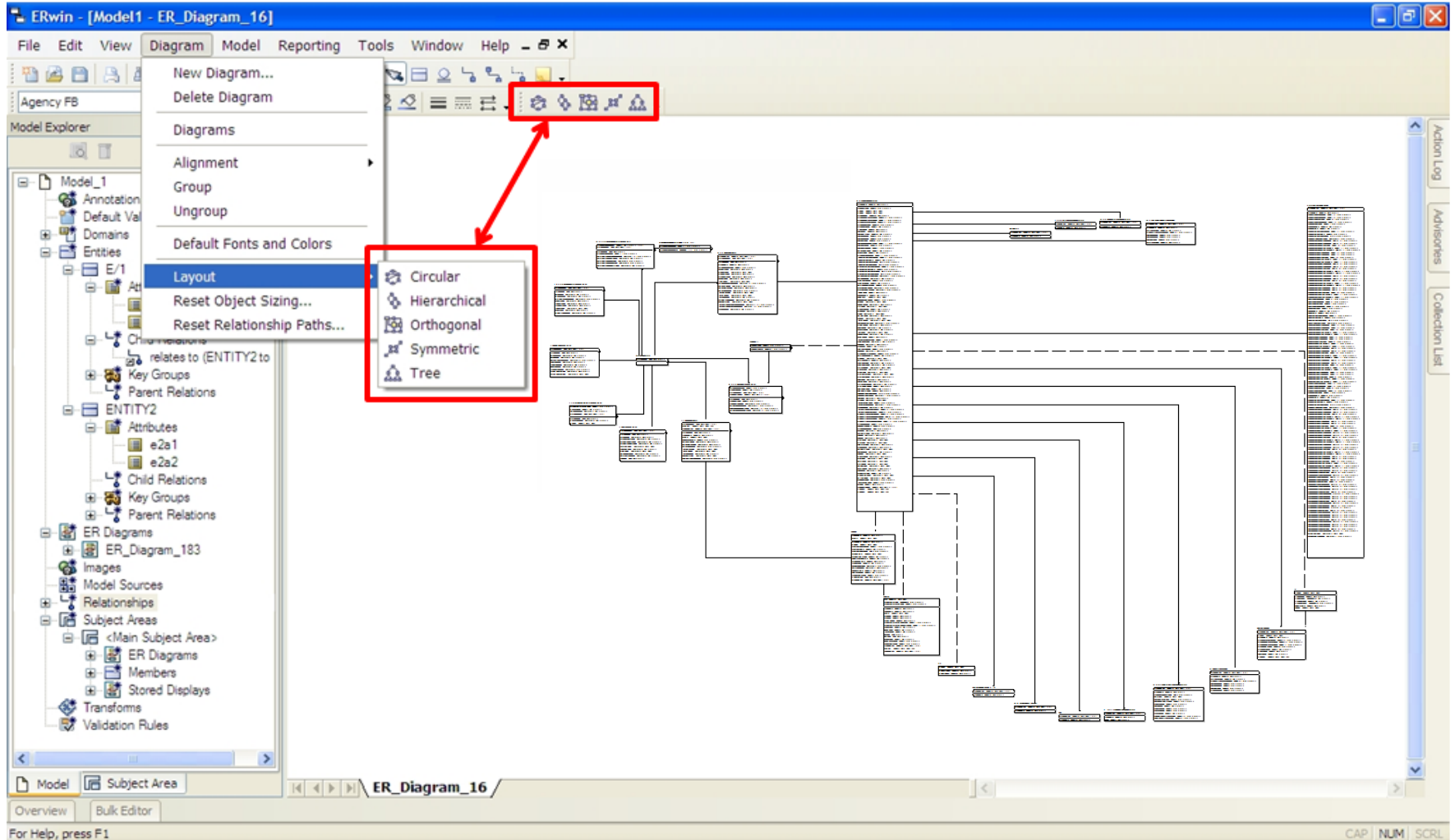
r7.3



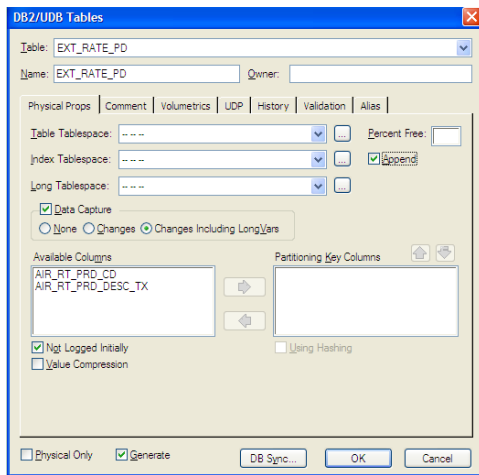
r8



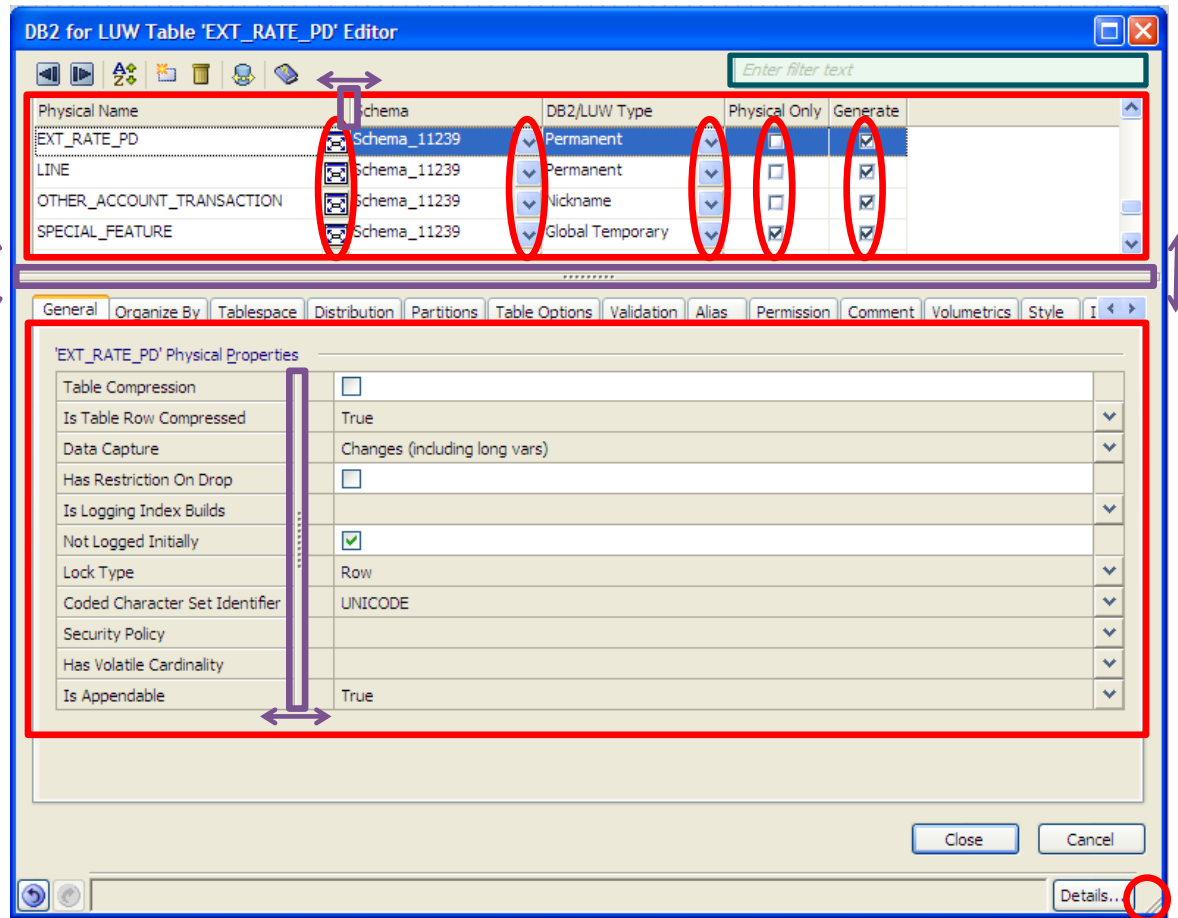
Multiple Layout Options



Functional Dialog Enhancement



r7.3



r8

Logical Dictionary

Model : Sales Accounting Model

Subject Area : Customer

Entity Name: CUSTOMER

Entity Definition: A CUSTOMER is a person or organization who has rented a movie within the past year.

Attribute Name	Domain	Null Option Type	Attribute Definition
customer address	VARCHAR(20)	Null	Street address of the customer
customer city	VARCHAR(20)	Null	City associated with Customer's address
customer first name	VARCHAR(20)	Null	First name of a Customer
customer last name	VARCHAR(20)	Null	Last name of a Customer
customer number	INTEGER	Not Null	A unique number associated with Customer
customer state	VARCHAR(20)	Null	The two-character state abbreviation associated with customer's address
customer zip code	Integer	Null	zip-code associated with Customer's address
email	VARCHAR(20)	Null	The email address associated with a customer

Entity Name : CUSTOMER CREDIT

Entity Definition : CUSTOMERCREDIT is the status of available credit for a CUSTOMER

Attribute Name	Domain	Null Option Type	Attribute Definition
credit card	INTEGER	Null	A credit card number associated with Customer
credit card exp	INTEGER	Null	Expiration date on the customer's credit card
customer number	INTEGER	Not Null	A unique number associated with Customer
status code	VARCHAR(20)	Null	Payment status associated with a Customer

CA ERwin Data Modeler r8 – UI Enhancements

Dialogs

- Resizable
- Scrollable
- Adaptable

Usability

- User Customizations
- Easier to:
 - Use (information presented in a clear, concise manner)
 - Understand
 - Navigate
- Dynamic, uncluttered workspace presentation

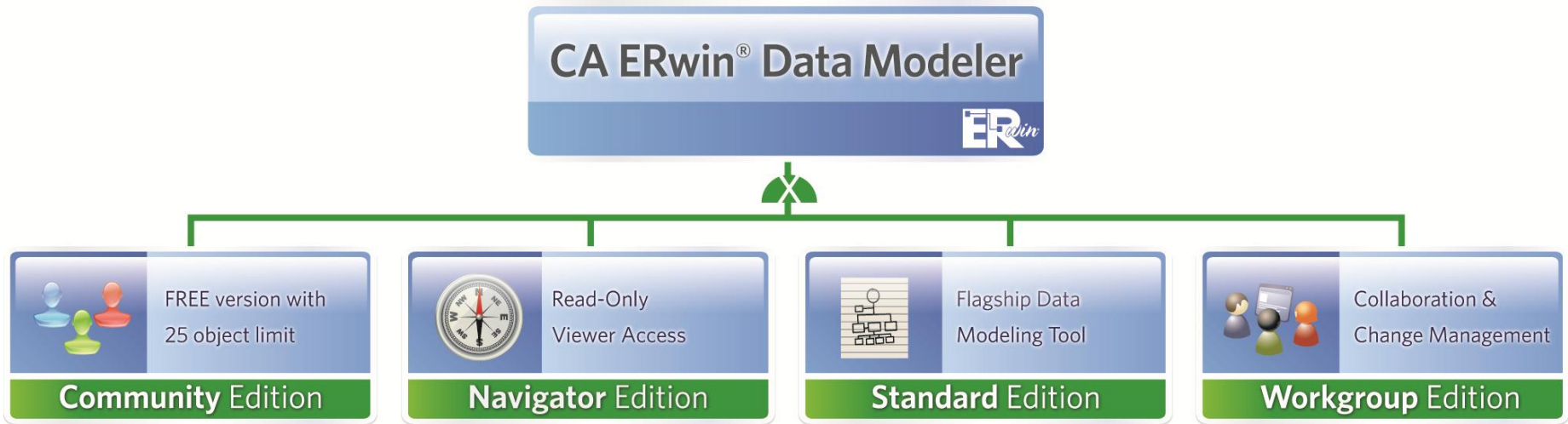


Product Demo



CA ERwin[®] Modeling r8 – Licensing & Versions

New - ERwin Modeling r8 Product Editions



r7.x	CA ERwin Data Modeler Community Edition	CA ERwin Model Navigator	CA ERwin Data Modeler	CA ERwin Data Modeler and CA ERwin Model Manager
r8	CA ERwin Data Modeler <i>Community Edition</i>	CA ERwin Data Modeler <i>Navigator Edition</i>	CA ERwin Data Modeler <i>Standard Edition</i>	CA ERwin Data Modeler <i>Workgroup Edition</i>

Packaging Changes in ERwin Modeling r8 : *What's Changed*

- End of Life Products
 - CA ERwin Process Modeler
 - CA ERwin Process Modeler Navigator
- CA ERwin Model Manager
 - Combined with CA ERwin Data Modeler into the CA ERwin Data Modeler Workgroup Edition
- CA ERwin Modeling Suite Bundle
 - Renamed to CA ERwin Modeling for Enterprise
 - CA ERwin Process Modeler replaced with 2 copies of CA ERwin Data Modeler Navigator Edition
 - CA ERwin Data Modeler Workgroup Edition + Validator + 2 x Navigator

Packaging Changes in ERwin Modeling r8 :

What's Still The Same (Almost!)

- CA ERwin Data Profiler
- CA ERwin Saphir Option
 - Changed AllFusion to CA ERwin in Full Product Name
- CA ERwin Data Model Validator
- Enterprise Modeling Media Kit
 - CD-ROM for ERwin Modeling family of products
 - Changed AllFusion to CA ERwin in Full Product Name

Licensing Changes

- New technology used with all ERwin Data Modeler Editions that would require machine address of end-user machine.
- ERwin Data Modeler will activate by default as Community Edition, in the absence of a full product license key. This will facilitate the retrieval of the correct MAC ID required to acquire permanent license from CA Licensing.
- The FlexNet technology will facilitate in better managing the access to ERwin Data Modeler licenses and prevent piracy.
- Refer to Help -> What's New -> Licensing Information



CA ERwin[®] Modeling r8 – How to Upgrade

Upgrade considerations

- Single binary
 - Features based on license
- No conflict with r7!
- Models upgraded on initial open
- Save as for
 - 7.2.9, 7.3.8-7.3.10
- Plan your Mart update carefully!
 - Mart migration will make old models inaccessible for r7.x



CA ERwin[®] Modeling r8 – Trainings

CA ERwin r8 Upgrade Workshop

- Next date: 11. Mai 2011, 1 day
- Location: Leonberg (near Stuttgart)
- Agenda
 - Oberfläche
 - Darstellung- & Navigationsmöglichkeiten
 - Arbeit mit Diagrammen
 - Arbeit mit Themes
 - Eigenschaftsdialoge
 - Bulk Editor
 - Reporting mit Crystal Reports
 - Steuerung der Vererbung von Eigenschaften der Modell-Objekte (Hardening)
 - Upgrade von Modellen von r7 nach r8



CA ERwin[®] Modeling r8 – Questions & Answers

ca@heureka.com

Astrid-Anna Kausch (kaufm. Fragen)
Stefan Kausch (techn. Fragen)